

**Congratulations!** You have purchased a high quality stereo loudspeaker. When matched to comparable electronic equipment, expect years of quality high fidelity sound. Our belief is that music matters and we are focused on delivering superlative music reproduction everywhere in your home.

The following manual is designed to give you, the installer or owner, basic information as to the speaker's installation and operation. It is beyond the scope of this manual to go into all the details that must be taken into consideration in a sophisticated high fidelity system. When installing the wiring and speakers it is important to adhere to all local codes and regulations. Consulting a professional can help to maximize your system's performance.

If you have any questions regarding this speaker which are not answered by this manual, contact your local dealer for assistance. For the most current information please visit [www.ditopro.com](http://www.ditopro.com).

The IO-400 W/B Outdoor Speakers are all-weather loudspeakers that bring an amazing audio experience outdoors. Enjoy great sound out of a small footprint with drivers tuned to perfection. The COD speakers are available in black or white UV treated ABS enclosures along with color matched aluminum grills.

**WIRING**

1. Attach the speaker cables to the speaker cable terminals on the back of the COD speaker.
2. Connect the speaker cable while ensuring proper polarity with the amplifier, + to + (red) and - to - (black).
3. Also ensure that the right channel of the amplifier is connected to the right speaker and the left channel to the left speaker.

**SPEAKER PLACEMENT**

**Outdoor Installations**

1. When mounting the COD speakers outdoors, the eaves of the roof provide an ideal location as they reduce the exposure of constant direct sunlight and precipitation.

2. If installing speakers on a boat, the wheelhouse provides the best location for the same reasons.

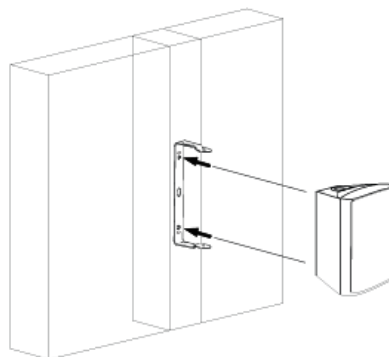
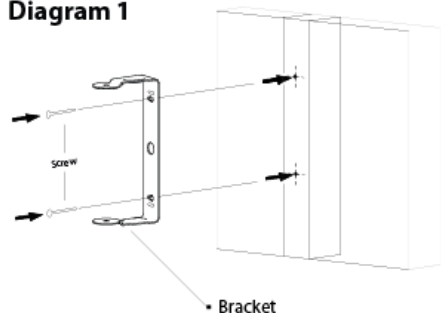
**Indoor Installations**

1. When placing the COD speakers on a wall or bookshelf, we recommend that they are mounted at ear level or slightly higher.
2. The usual listening area should be no closer to the speakers than the distance between the speakers themselves.

**MOUNTING**

1. The COD speaker is supplied with a U shaped wall mounting bracket that can be installed vertically or horizontally.
2. Use screws, bolts or anchors (not included) that are capable of supporting the weight of the speaker to mount the bracket.
3. Choose a mounting surface with sufficient strength to reliably hold the speaker. (See Diagram 1 below)
4. Mount U bracket with slots pointing upward if mounting horizontally.
5. Once the bracket is securely fastened, insert knob screws loosely on to the speaker and slide on to bracket. (See Diagram 2 below)
6. Rotate the speaker to desired position and tighten the knob screws.
7. There are two M6 inserts located on the back of the speaker for other types of mounting brackets. (Make sure to select a bracket capable of supporting the weight of the speaker.)

**Diagram 1**



**Diagram 2**

